



Models ATGP-FA and ATGI-FA

T-Glide Advance Fence

Parts List

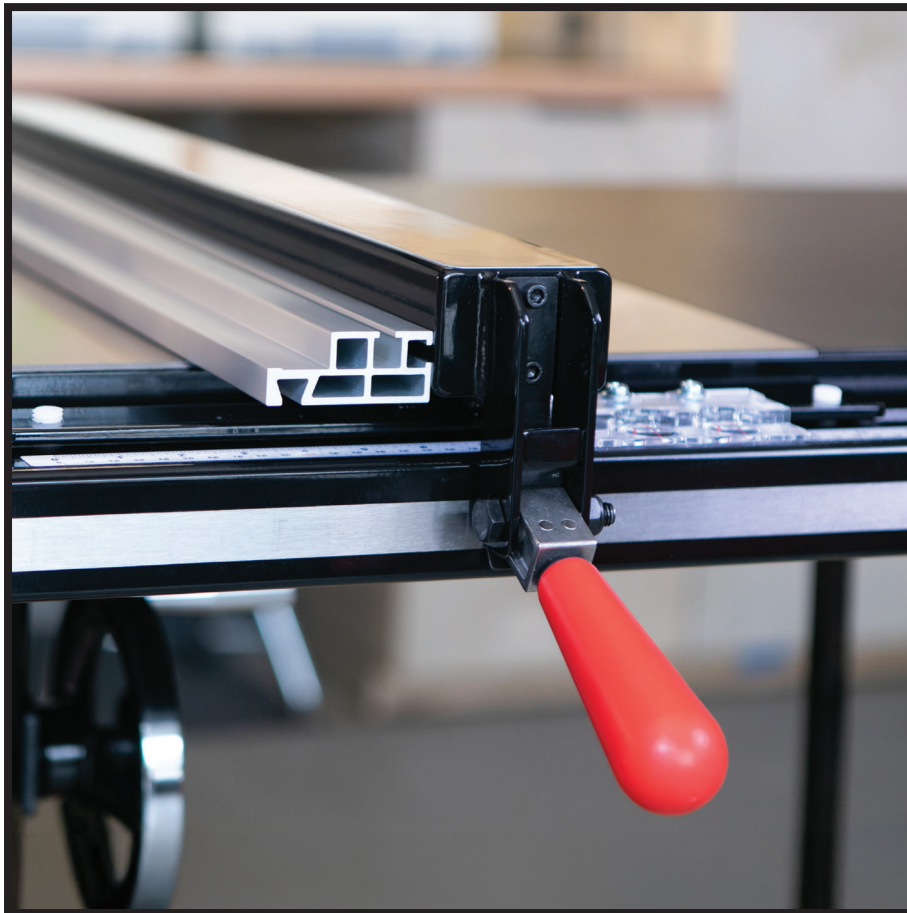


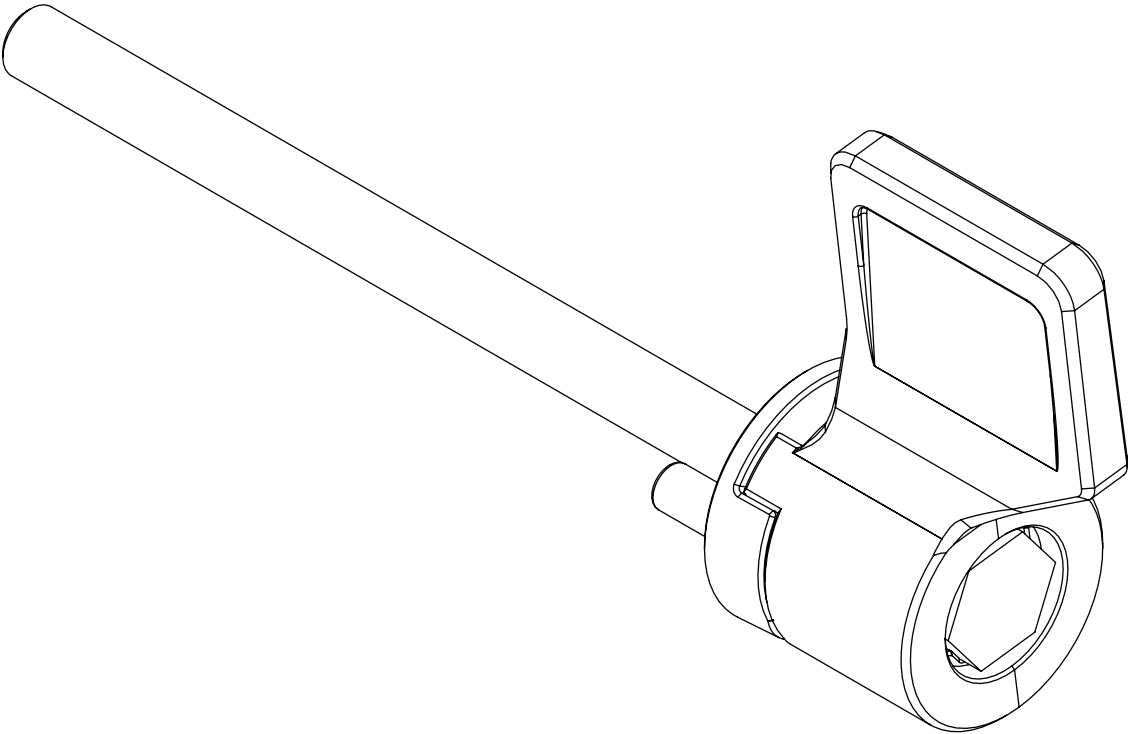
Table of Contents

Lock Handle Assembly ATGP-001, ATGI-001	3
Fence Face Extrusion ATGP-002, ATGI-002	4
Clamp Bar Assembly ATGP-003, ATGI-003.	5
Roller Sub-Assembly ATGP-004, ATGI-004	6
Glide Components Service Kit ATGP-005, ATGI-005.	7
Indicator Lens Assembly ATGP-006, ATGI-006	8
Handle Assembly ATGP-007, ATGI-007	9
Handle Base Assembly ATGP-008, ATGI-008	10
Flex Arm Assembly ATGP-012, ATGI-012	11
End Cap Assembly ATGP-009, ATGI-009	12
SawStop Label ATGP-010, ATGI-010.	13
Wedge Clamp ATGP-011, ATGI-011	14



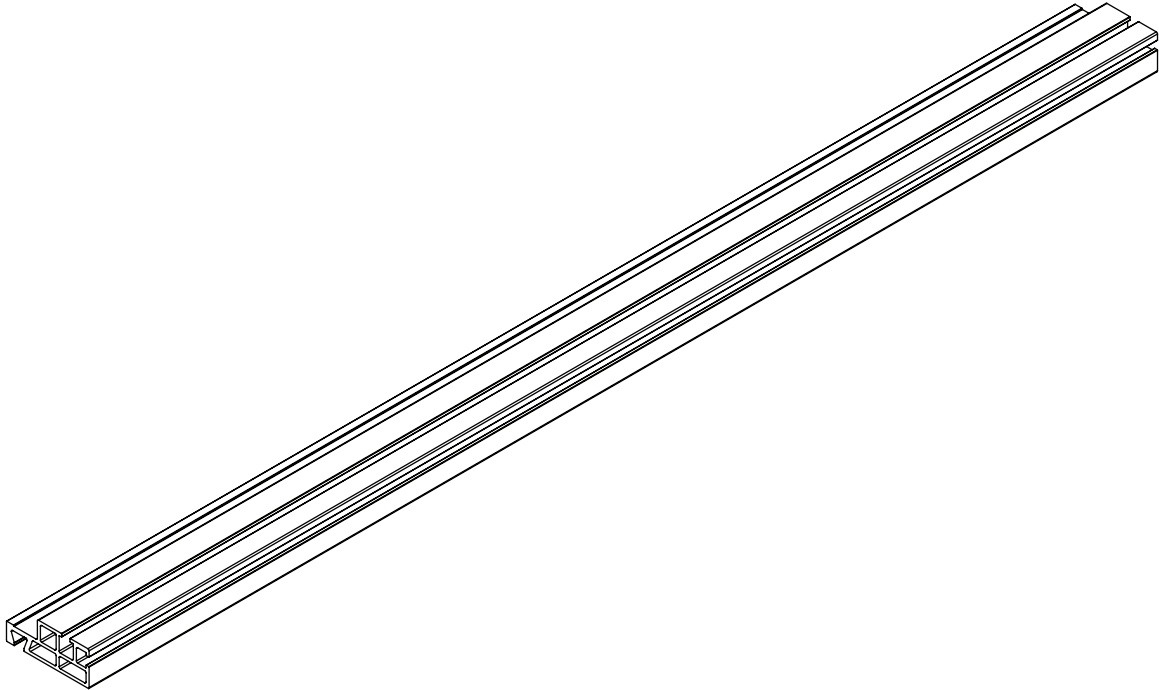
Lock Handle Assembly

Part Number: ATGP-001, ATGI-001



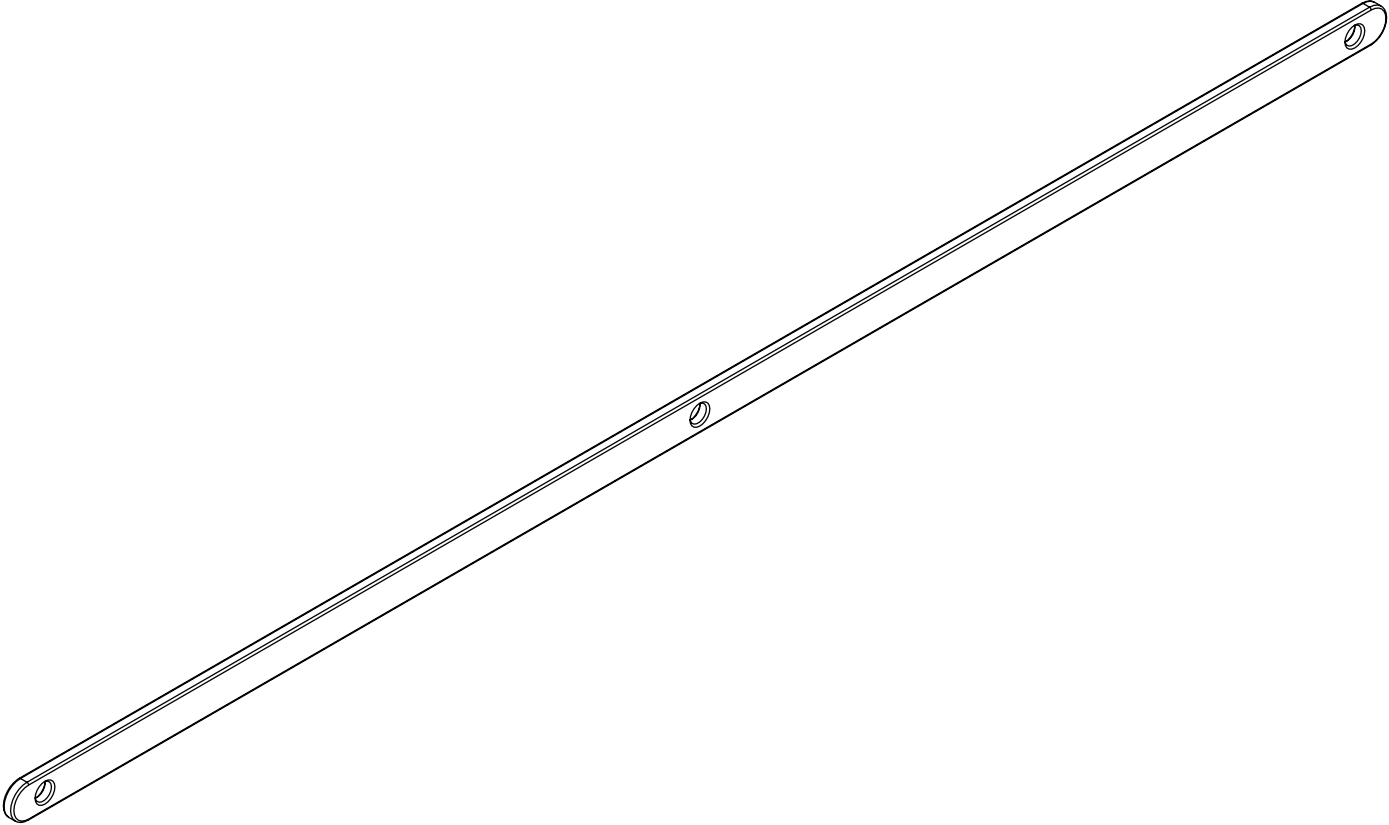
Fence Face Extrusion

Part Number: ATGP-002 Fence Face Extrusion - Professional Fence
ATGI-002 Fence Face Extrusion - Industrial Fence



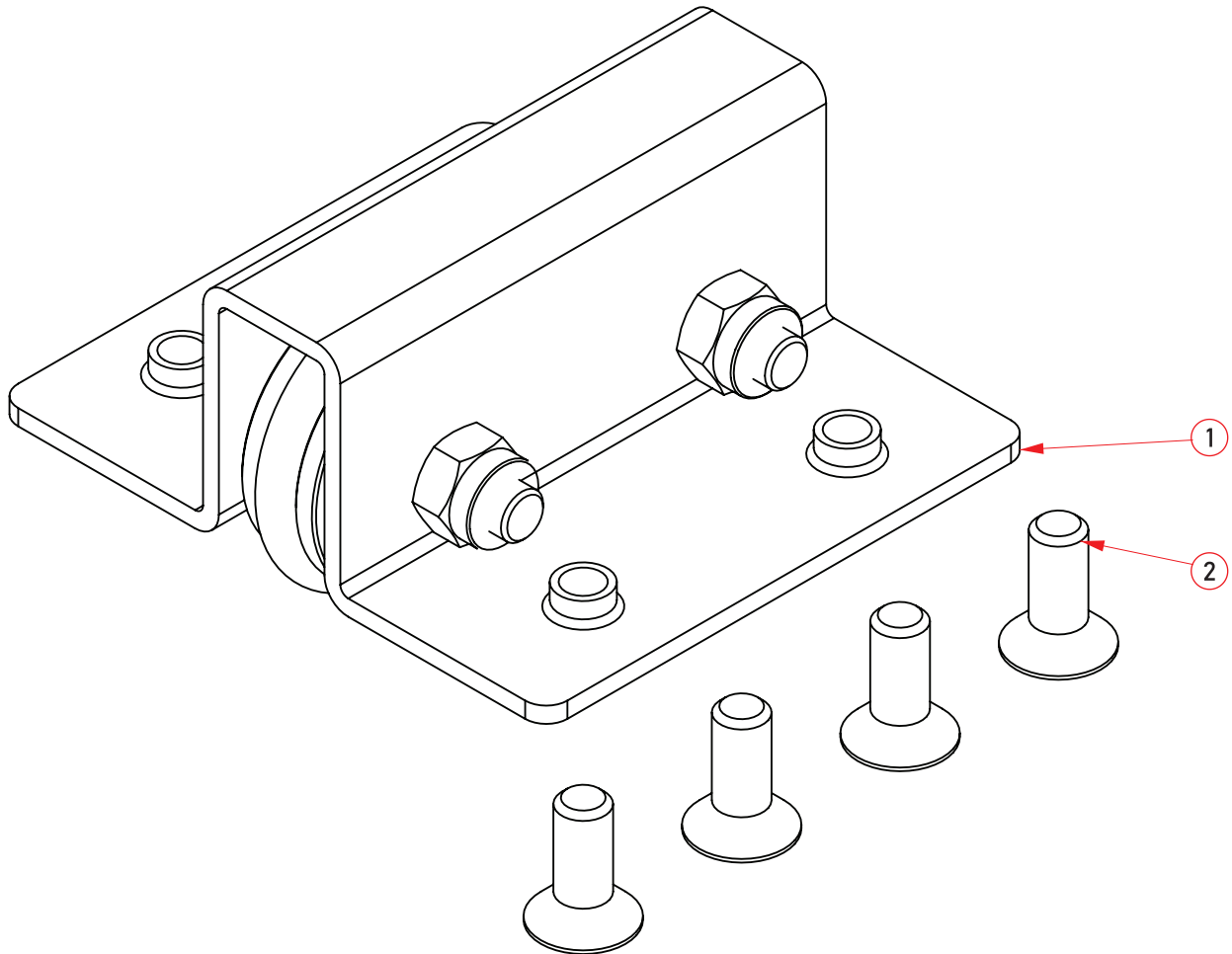
Clamp Bar Assembly

Part Number: ATGP-003, ATGI-003



Roller Sub-Assembly

Part Number: ATGP-004, ATGI-004

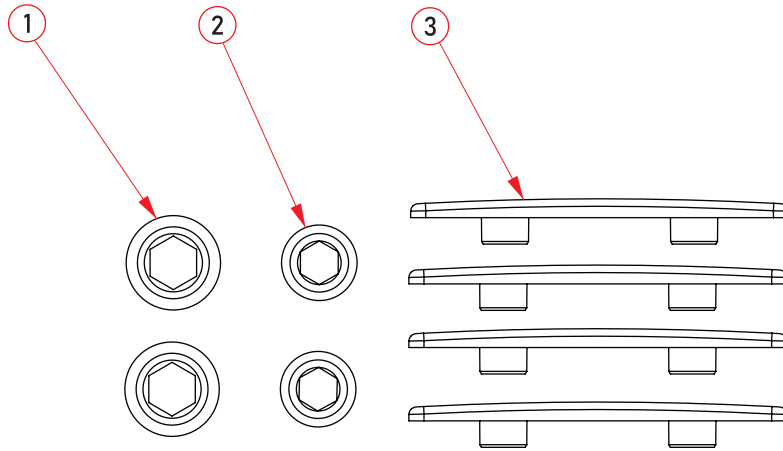


BILL OF MATERIALS

ITEM NO.	DESCRIPTION	QTY
1	Roller Assembly, Fence, T-Glide Advance	1
2	Bolt, M4x0.7, 10mm, Flat Head, Hex, Black Zinc	4

Glide Components Service Kit

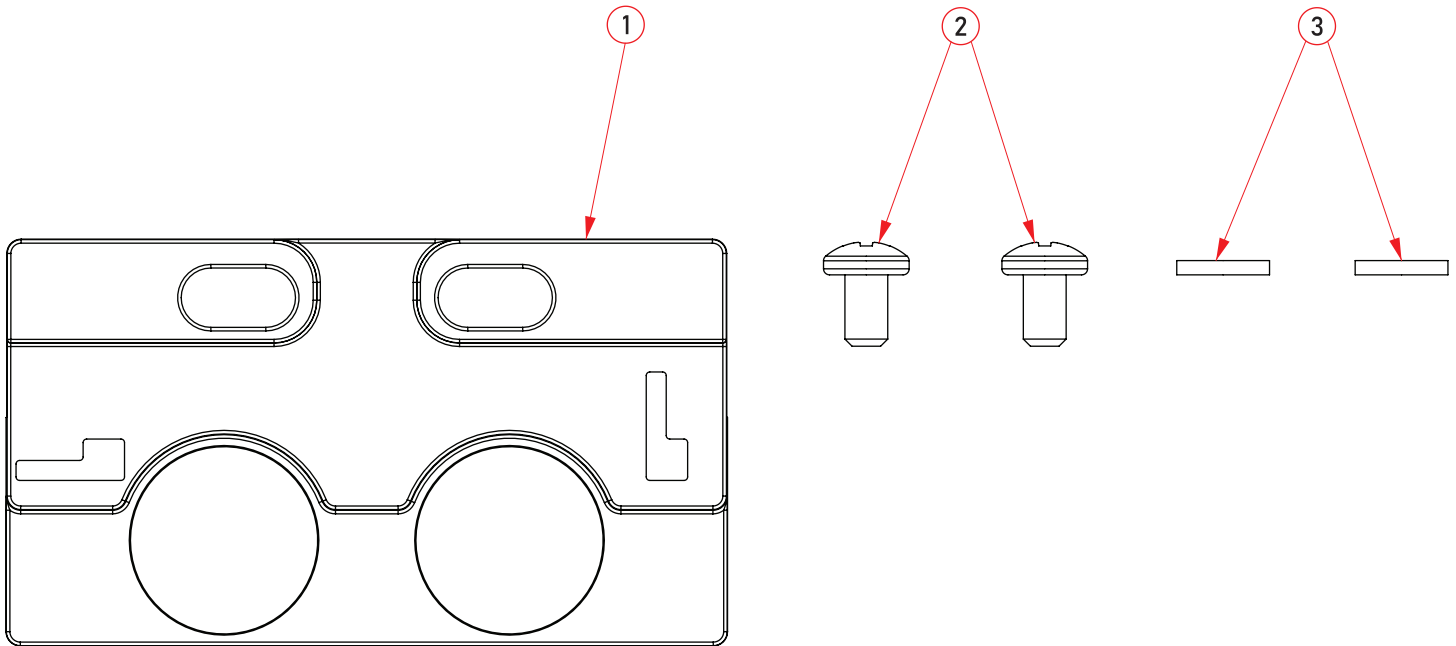
Part Number: ATGP-005, ATGI-005



BILL OF MATERIALS		
ITEM NO.	DESCRIPTION	QTY
1	Bolt, Leveling Adjustment, Delrin, M12x1.75, 13mm, 6mm Socket	2
2	Set Screw, M10x1.5, 8mm, Locktite, Socket Head, Black Zinc	2
3	Glide, Fence-Rail, TGI	4

Indicator Lens Assembly

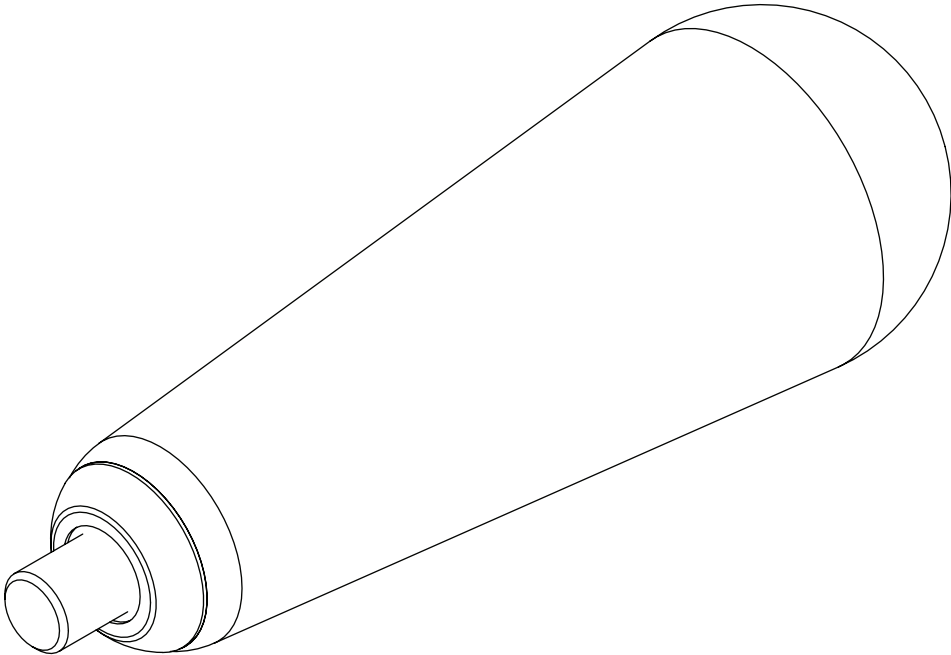
Part Number: ATGP-006, ATGI-006



BILL OF MATERIALS		
ITEM NO.	DESCRIPTION	QTY
1	Lens, Position indicator, T-Glide Advance	1
2	Bolt, M6x1.0, 10mm, Pan Head, Phillips, Silver Zinc	2
3	Washer, M6, Flat, 13mm ODx2mm THK, Silver Zinc	2

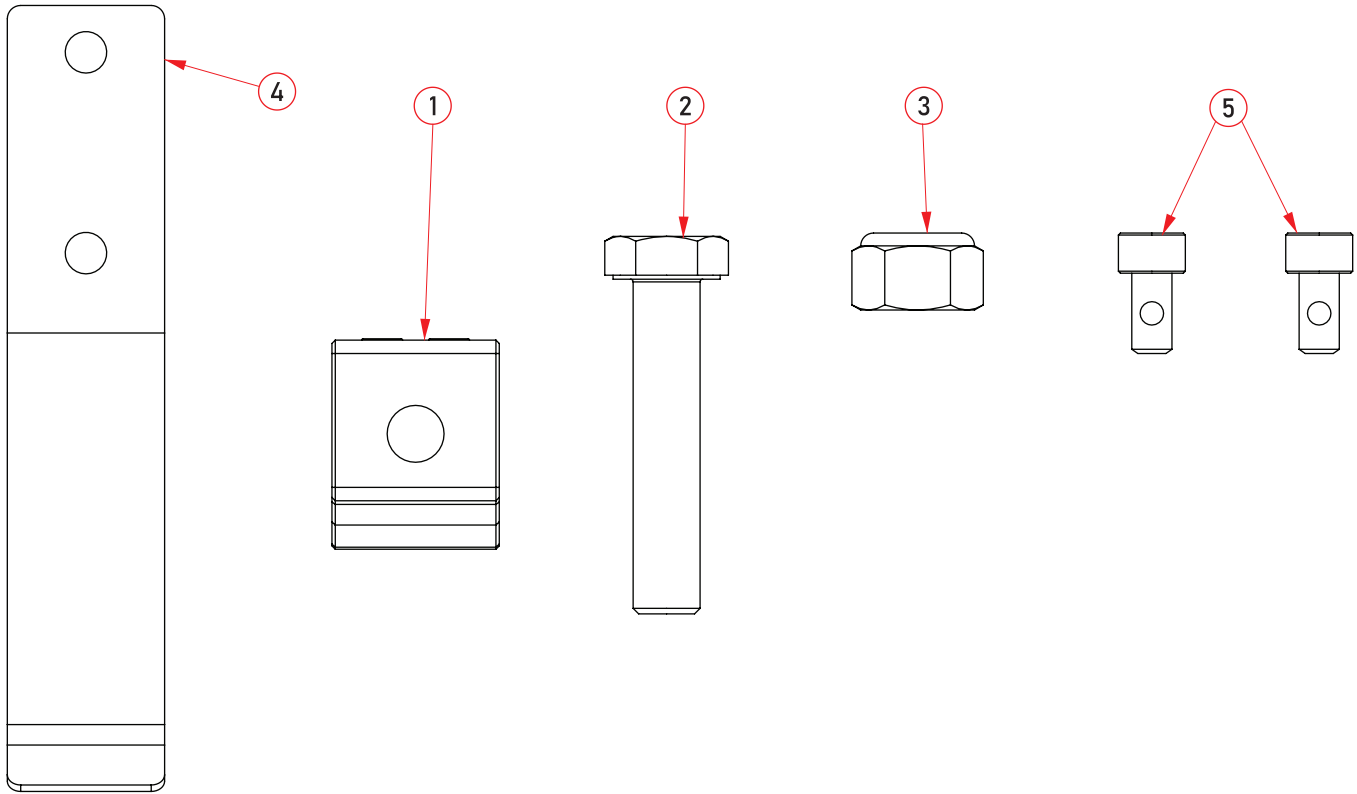
Handle Assembly

Part Number: ATGP-007, ATGI-007



Handle Base Assembly

Part Number: ATGP-008, ATGI-008

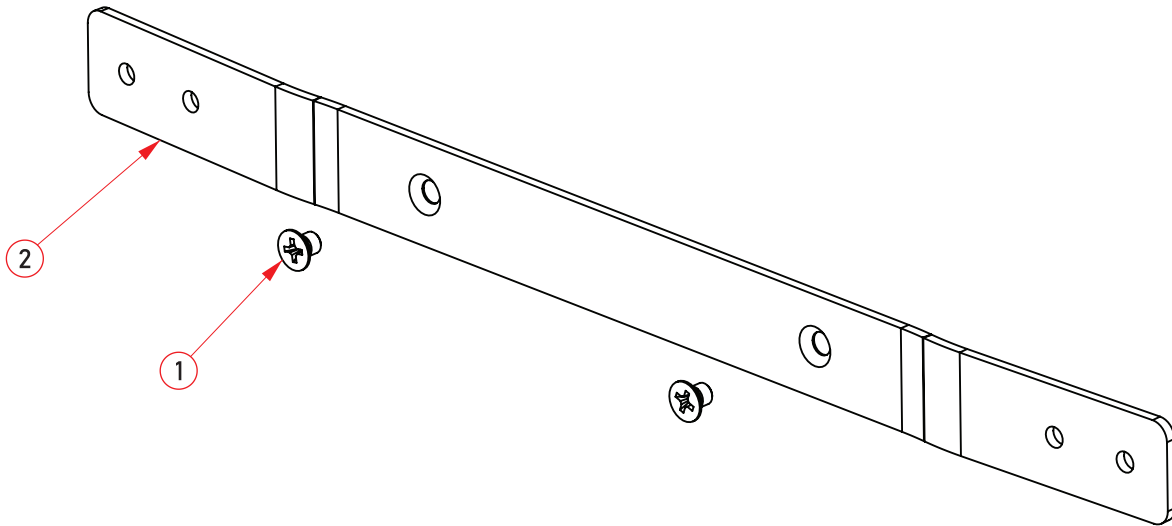


BILL OF MATERIALS

ITEM NO.	DESCRIPTION	QTY
1	Cam Lock, Fence Handle, TGI	1
2	Bolt, M10x1.5, 50mm, Hex Head, Black Zinc	1
3	Nut, M10x1.5, Nylon Insert	1
4	Plate, Flex, TGI	1
5	Bolt, M6x1.0, 12mm, Loctite, Socket Head, Black Zinc	2

Flex Arm Assembly

Part Number: ATGP-012, ATGI-012



BILL OF MATERIALS		
ITEM NO.	DESCRIPTION	QTY
1	Bolt, M6x1.0, 8mm, Flat Head, Phillips, Black Zinc	2
2	Arm, Flex, TGI	1

End Cap Assembly

Part Number: ATGP-009, ATGI-009



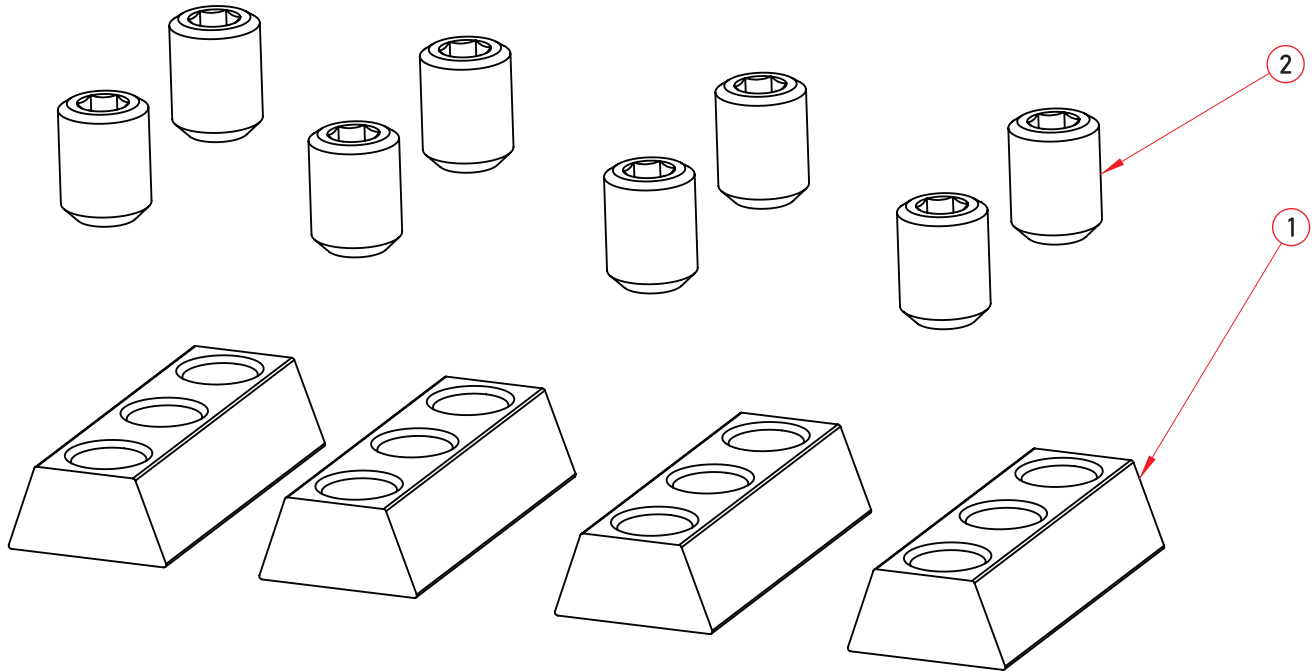
SawStop Label

Part Number: ATGP-010 SawStop Label - Professional Fence
ATGI-010 SawStop Label - Industrial Fence



Wedge Clamp

Part Number: ATGP-011, ATGI-011



BILL OF MATERIALS

ITEM NO.	DESCRIPTION	QTY
1	Wedge Clamp, Miter Fence, Revolution	4
2	Set Screw, M6x1.0x8mm, Socket Head, Clear Zinc	8



USA/CANADA

SawStop, LLC

11555 SW Myslony St,
Tualatin, OR 97062 USA

SawStop.com/support

TechnicalSupport@SawStop.com
(503) 582-9934

Parts available for purchase at SawStop.com

EUROPE/UK

TTS Europe SE

Wertstrasse 20
73240 Wendlingen a.N., DE

UK Regulatory

Authorised Rep Compliance Ltd., ARC House,
Thurnham, Lancaster, LA2 0DT, UK.

SawStop.eu/support

SupportEurope@SawStop.com

AUSTRALIA

Carbatec.com.au/contact

customercare@carbatec.com.au